

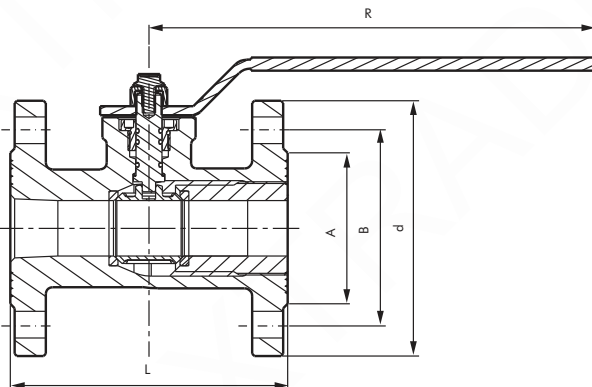
Flanged ball valves, 2-part DVGW-tested for gas PN 16 / MOP 16 EN 13774 PN 16



Materials: Housing: GGG40, ball: hard chrome-plated brass, seal: PTFE / FKM
Temperature range: -20 ° C to max. + 120 ° C (fuel gases according to G 260: up to max. + 60 ° C)
Operating pressure: -0.999 to 16 bar
Area of application: water, oil, compressed air, vacuum, fuel gases according to G 260 to 16 bar

Advantages: Length according to DIN 3202-F4 DIN EN 558-1

- Mounting flange according to ISO 5211 allows the installation of a drive



Typ	DN	L	A	B	d	R	ISO 5211
MXT-1937DVWG1	50	150	102	125	165	240	F 05
MXT-1937DVWG2	65	170	122	145	185	260	F 07
MXT-1937DVWG3	80	180	138	160	200	260	F 07
MXT-1937DVWG4	100	190	158	180	220	260	F 07
MXT-1937DVWG5	125	200	188	210	250	450	F 10